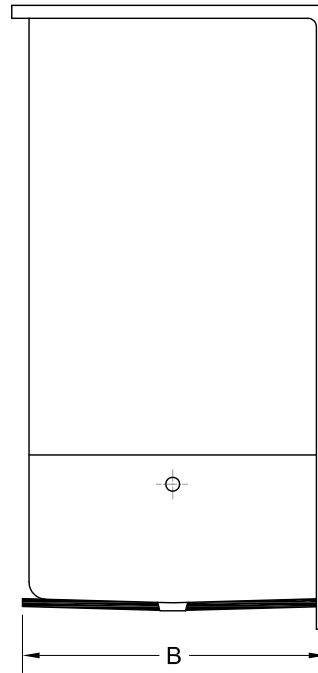


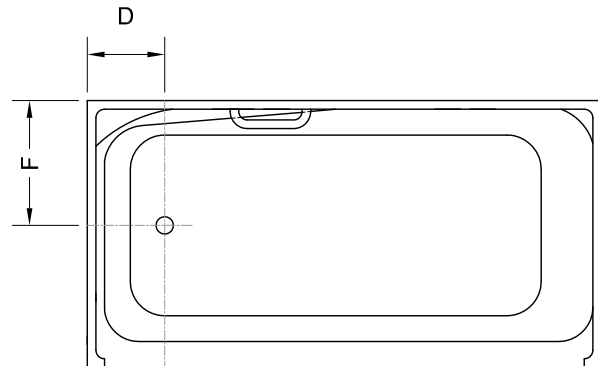
**FRONT VIEW**



**SIDE VIEW - A**



**NV6031 (L/R)**



**TOP VIEW**

**STANDARD FEATURES:**

- SEAMLESS ONE-PIECE CONSTRUCTION
- REINFORCED FIBERGLASS CONSTRUCTION WITH WHITE GELCOATED SURFACE
- HONEYCOMB CORE REINFORCED FLOOR
- SLIP RESISTANCE FLOOR
- SELF DRAINING SOAP/SHAMPOO LEDGES
- TOWEL BAR

**OPTIONS:**

- ( ) COLOUR SPECIFY: \_\_\_\_\_
- ( ) STAINLESS STEEL GRAB BAR
  - 18" - QTY: \_\_\_\_\_
  - 24" - QTY: \_\_\_\_\_
  - 30" - QTY: \_\_\_\_\_

ALL VENCO UNITS ARE CSA CERTIFIED

**NOTE:**

DOOR OPENING: 1372MM (54")  
 OVERFLOW HOLE HEIGHT: 350MM (13 3/4")  
 FLOOR FLAT PORTION LENGTH: 1050MM (41 2/5")  
 FLOOR FLAT PORTION WIDTH: 430MM (17")  
 APPROXIMATE UNIT WEIGHT: 120lbs (54.5 kg)

	METRIC	IMPERIAL
A	1518(mm)	59 3/4"
B	788(mm)	31"
C	1842(mm)	72 1/2"
D	197(mm)	7 3/4"
E	514(mm)	20 1/4"
F	368(mm)	14 1/2"

STRUCTURAL COMPOSITE TECHNOLOGIES LTD. RESERVES PROPRIETARY RIGHTS ON THIS DRAWING OR ANY PART OF THE INFORMATION CONTAINED THEREON. THIS DRAWING SHALL BE CONSIDERED CONFIDENTIAL MATERIAL AND IS NOT TO BE USED FOR COMPETITIVE BIDDING NOR FOR USE WITH ANY PROCUREMENTS OTHER THAN FROM STRUCTURAL COMPOSITE TECHNOLOGIES LTD.

3		
2		
1		
0		
REVISION		DATE

**STRUCTURAL**  
 Composite Technologies Ltd.  
 Fibreglass Fabricator  
 www.structuralcomposite.com  
 Winnipeg, Canada  
 Ph. 204 668 9320

**VENCO**  
 DESIGNED FOR VALUE, ENGINEERED TO LAST

SHOWER STALL  
**NV6031 (L/R)**

DATE: SEPTEMBER 2016	DRAWING NO. NV6031	REV. 0
----------------------	--------------------	--------