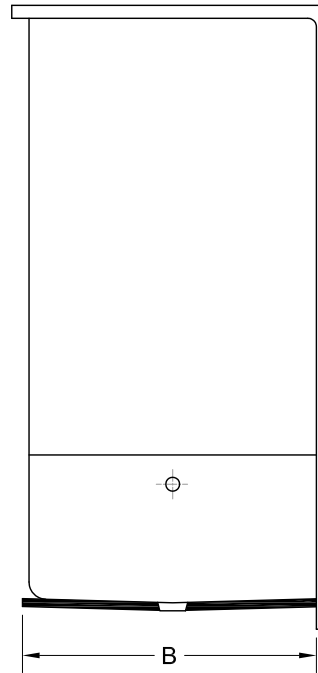


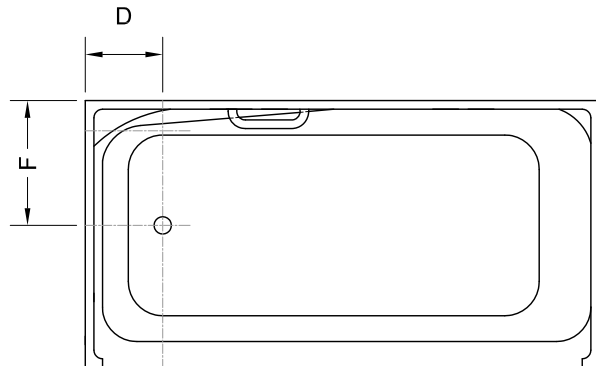
FRONT VIEW



SIDE VIEW - A



NV6034TW (L/R)



TOP VIEW

STANDARD FEATURES:

- SEAMLESS ONE-PIECE CONSTRUCTION
- REINFORCED FIBERGLASS CONSTRUCTION WITH WHITE GELCOATED SURFACE
- HONEYCOMB CORE REINFORCED FLOOR
- SLIP RESISTANCE FLOOR
- SELF DRAINING SOAP/SHAMPOO LEDGES
- TOWEL BAR

OPTIONS:

- () COLOUR SPECIFY: _____
- () STAINLESS STEEL GRAB BAR
 - 18" - QTY: _____
 - 24" - QTY: _____
 - 30" - QTY: _____

ALL VENCO UNITS ARE CSA CERTIFIED

NOTE:

DOOR OPENING: 1372MM (54")
 OVERFLOW HOLE HEIGHT: 360MM (14 1/5")
 FLOOR FLAT PORTION LENGTH: 1010MM (39 3/4")
 FLOOR FLAT PORTION WIDTH: 550MM (21 3/5)
 APPROXIMATE UNIT WEIGHT: 120lbs (54.5 kg)

	METRIC	IMPERIAL
A	1525(mm)	60"
B	858(mm)	33 3/4"
C	1982(mm)	78"
D	197(mm)	7 3/4"
E	527(mm)	20 3/4"
F	407(mm)	16"

STRUCTURAL COMPOSITE TECHNOLOGIES LTD. RESERVES PROPRIETARY RIGHTS ON THIS DRAWING OR ANY PART OF THE INFORMATION CONTAINED THEREON. THIS DRAWING SHALL BE CONSIDERED CONFIDENTIAL MATERIAL AND IS NOT TO BE USED FOR COMPETITIVE BIDDING NOR FOR USE WITH ANY PROCUREMENTS OTHER THAN FROM STRUCTURAL COMPOSITE TECHNOLOGIES LTD.

3		
2		
1		
0		
REVISION		DATE

STRUCTURAL
Composite Technologies Ltd.

Fibreglass Fabricator
www.structuralcomposite.com

Winnipeg, Canada
Ph. 204 668 9320

VENCO
DESIGNED FOR VALUE, ENGINEERED TO LAST

SHOWER STALL
NV6034TW (L/R)

DATE: SEPTEMBER 2016	DRAWING NO. NV6034TW	REV. 0
----------------------	----------------------	--------